

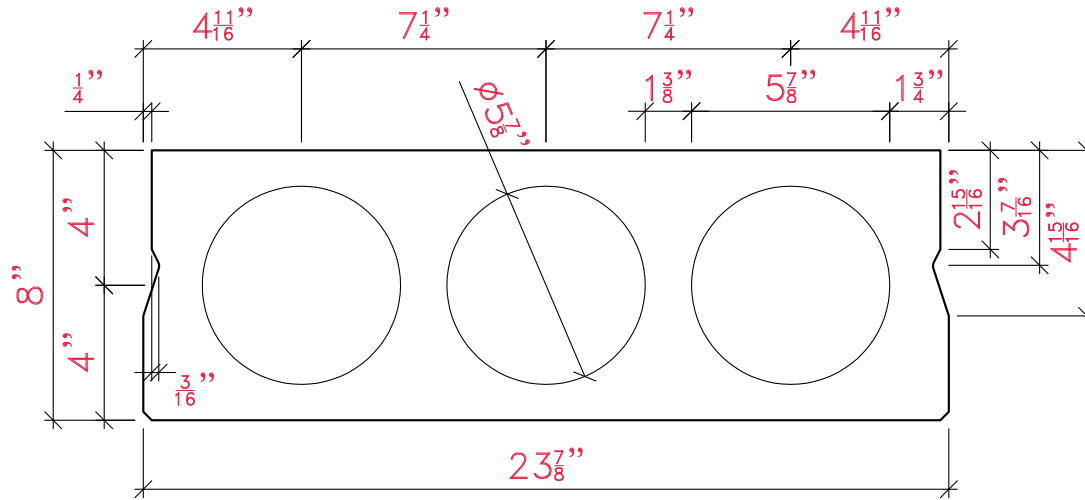


# Mid-States Concrete Industries

total precast CROSS SECTION & STRAND CONFIGURATIONS

**8"X24" HOLLOWCORE**

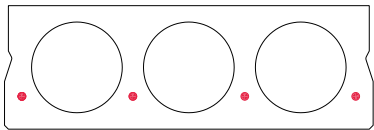
CROSS SECTION



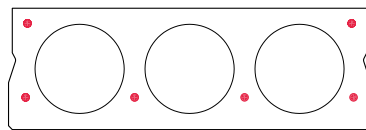
NOTES:

## STRAND CONFIGURATIONS

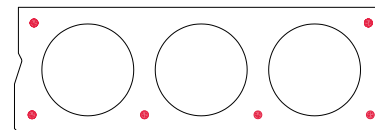
FOR INFORMATIONAL PURPOSES ONLY



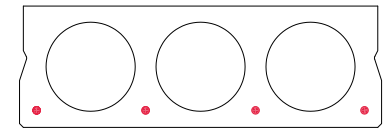
2.0-46  
2.0-47  
2.0-48  
2.0-48+S



2.0-46TC26  
2.0-46TP26  
2.0-47TC26  
2.0-47TP26  
2.0-48TC26  
2.0-48TP26  
2.0-48+STC26  
2.0-48+STP26



1.0-48+STC26  
1.0-48+STP26



1.0-48+S