

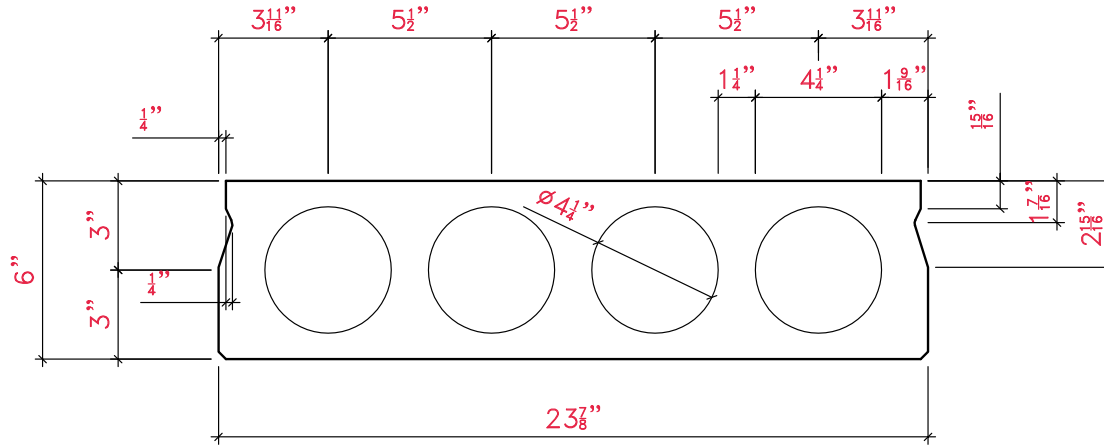


# Mid-States Concrete Industries

total precast CROSS SECTION & STRAND CONFIGURATIONS

**6"X24" HOLLOWCORE**

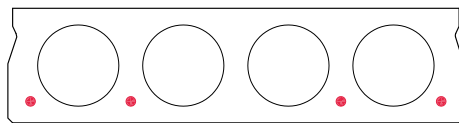
CROSS SECTION



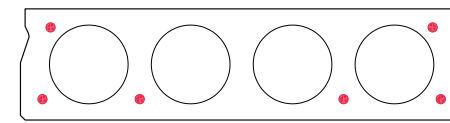
NOTES:

## STRAND CONFIGURATIONS

FOR INFORMATIONAL PURPOSES ONLY



1.0-2627  
1.0-46



1.0-2627TC26  
1.0-2627TP26  
1.0-46TP26