

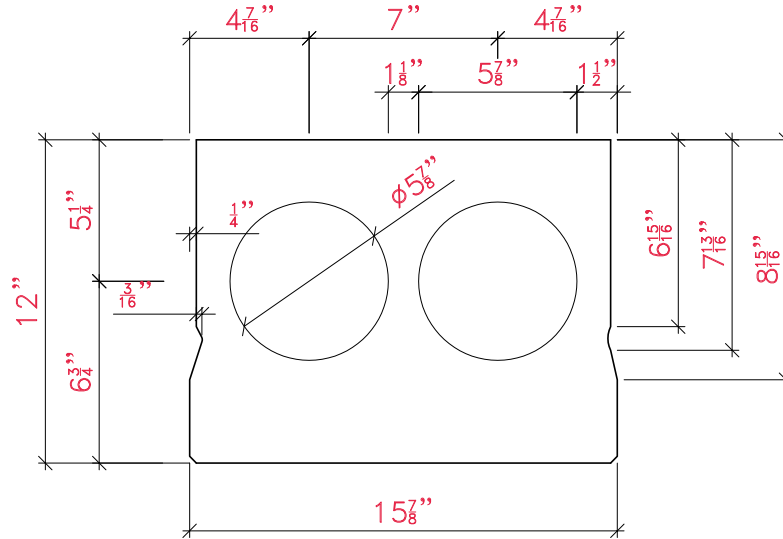


# Mid-States Concrete Industries

total precast CROSS SECTION & STRAND CONFIGURATIONS

12"X16" HOLLOWCORE

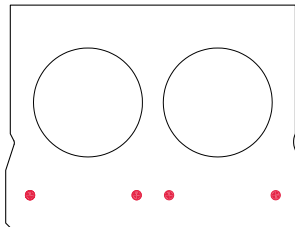
CROSS SECTION



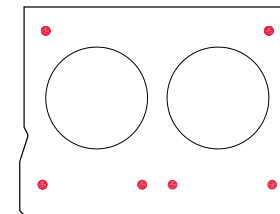
NOTES:

## STRAND CONFIGURATIONS

FOR INFORMATIONAL PURPOSES ONLY



1.5-F47  
1.5-F48  
1.5-F48+S



1.5-F47TC26  
1.5-F47TP26  
1.5-F48TC26  
1.5-F48TP26  
1.5-F48+STC26  
1.5-F48+STP26

