

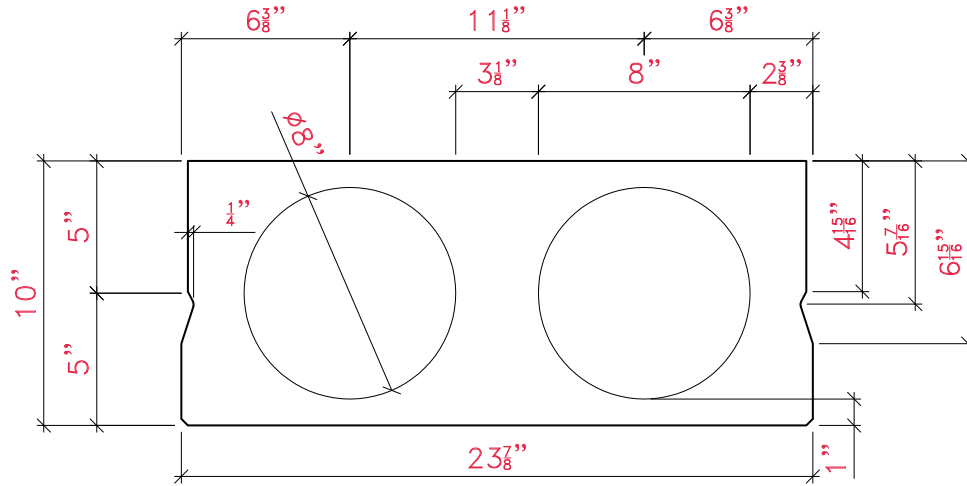


Mid-States Concrete Industries

total precast CROSS SECTION & STRAND CONFIGURATIONS

10"X24" HOLLOWCORE

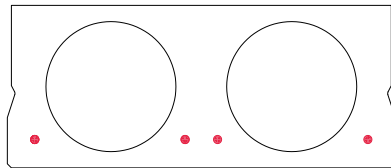
CROSS SECTION



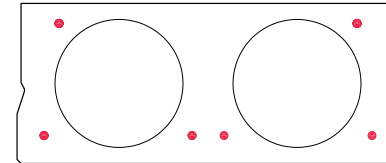
NOTES:

STRAND CONFIGURATIONS

FOR INFORMATIONAL PURPOSES ONLY



- 1.5-46
- 1.5-47
- 1.5-48
- 1.5-48+S



- 1.5-46TC26
- 1.5-46TP26
- 1.5-47TC26
- 1.5-47TP26
- 1.5-48TC26
- 1.5-48TP26
- 1.5-48+STC26
- 1.5-48+STP26