

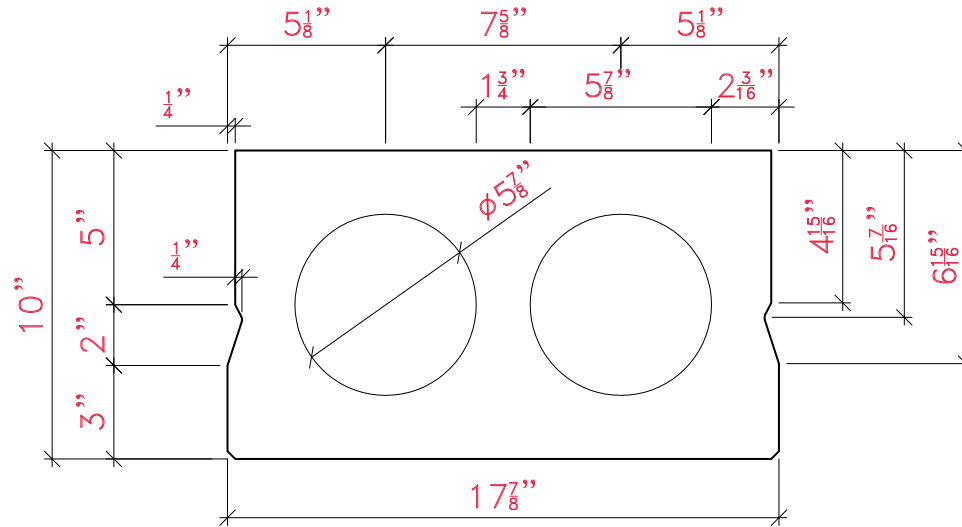


# Mid-States Concrete Industries

total precast CROSS SECTION & STRAND CONFIGURATIONS

10"X18" HOLLOWCORE

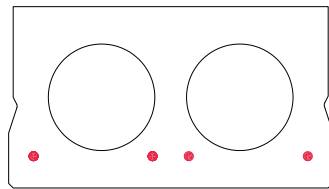
CROSS SECTION



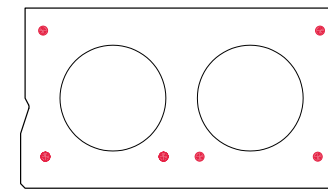
NOTES:

## STRAND CONFIGURATIONS

FOR INFORMATIONAL PURPOSES ONLY



- 1.5-F47
- 1.5-F48
- 1.5-F48+S



- 1.5-F47TC26
- 1.5-F47TP26
- 1.5-F48TC26
- 1.5-F48TP26
- 1.5-F48+STC26
- 1.5-F48+STP26