



1-800-236-1072
www.msprecast.com

Mid-States Concrete Industries **flexicore**

8"X48" HOLLOWCORE

(2 HOUR FIRE RATING)



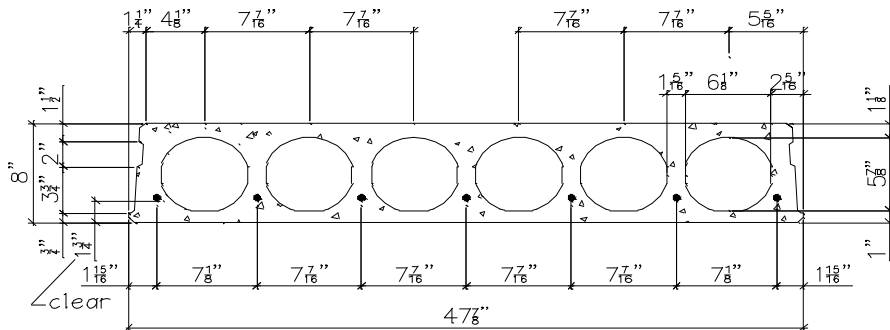
SAFE LOAD TABLE

Standard Designation	#/Size of 7 Wire strand	Strand Area Sq.In.	Mu in Ft.-Kips per unit	SIMPLE SPAN IN FEET-CENTER TO CENTER OF END BEARINGS																																							
				10	11	12	13	14	15	16	17	18	19	20	21	22	23	24	25	26	27	28	29	30	31	32	33	34	35	36	37	38	39	40									
1.75-28510	2-1/2,5-6	1.391	145.03																	165	157	150	143	137	131	122	112	103	95	87	80	74	68	62									
1.75-78	7-1/2	1.071	115.66																	228	215	203	192	182	173	157	142	129	117	107	97	88	80	73	67	61	55	50	45	41			
1.75-77	7-7/16	0.805	89.52																	242	219	194	173	155	138	124	111	100	90	81	73	65	58	52	47	42	37	32	28	25	21		
1.75-58	5-1/2	0.765	85.44																	296	276	258	234	207	183	163	146	130	116	104	93	84	75	67	60	54	48	42	38	33	29	25	22
1.75-48	4-1/2	0.612	69.52	500	450	409	374	344	318	296	276	258	234	207	183	163	146	130	116	104	93	84	75	67	60	54	48	42	38	33	29	25	22										

UNIFORMLY DISTRIBUTED SUPERIMPOSED LOAD IN LBS. PER SQ. FT.

(Includes the live load plus dead load that is in addition to the weight of the grouted slabs in place.)

FOR LOADS & SPANS NOT SHOWN CONTACT MID-STATES CONCRETE INDUSTRIES at 1-800-236-1072



HOLLOWCORE - $f'_c = 9000$ psi, $W_t = 54$ psf
GROUT - $f'_c = 5000$ psi

- 1- Dead Load, 54 psf grouted weight of structural unit.
- 2- Tabulated loads are based on ACI318-02 where $M_u = 1.4 M_d + 1.7 M_L$ and with all loads superimposed on the structural section considered as live load.
- 3- Camber is a result of the design rather than a design requirement. Heavy superimposed loads & / or long spans may cause excessive camber. Contact Mid-States Concrete Industries for more specific camber information.
- 4- Loads to the left of the solid stepped line are governed by shear
- 5- Loads underlined are controlled by permissible flexural tension at service loads.

April 8, 2003