



Mid-States Concrete Industries **flexicore**

8"X24" HOLLOWCORE

(4 HOUR FIRE RATING)



1-800-236-1072
www.msprecast.com

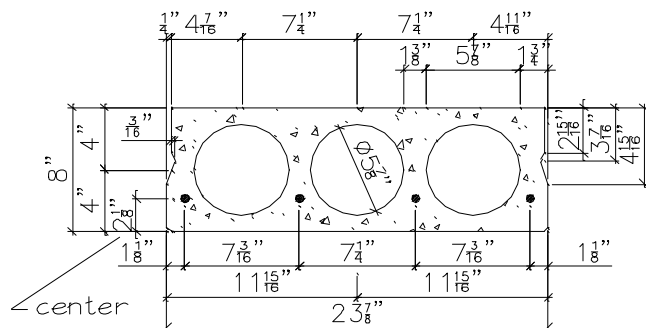
SAFE LOAD TABLE

Standard Designation	#/Size of 7 Wire strand	Strand Area Sq.In.	Mu in Ft.-Kips per unit	SIMPLE SPAN IN FEET-CENTER TO CENTER OF END BEARINGS																																			
				10	11	12	13	14	15	16	17	18	19	20	21	22	23	24	25	26	27	28	29	30	31	32	33	34	35	36	37	38	39	40					
*2.0-48S	4-1/2S, 270K	0.668	63.04	495	446	405	370	340	314	292	272	254	238	211	186	164	146	129	114	101	90	80	70	62	54	48	41	36	30	26	21								
2.0-48	4-1/2	0.576	51.27				334	307	283	262	240	208	181	158	138	120	105	92	80	70	61	53	45	38	32	27	22												
2.0-47	4-7/16	0.432	41.04	448	403	365	331	277	234	199	170	145	124	107	91	78	67	57	48	40	33	26	21																
2.0-46	4-3/8	0.320	31.59	434	349	284	234	194	161	135	113	95	79	66	54	44	36	28	21																				
2.0-45	4-5/16	0.232	23.60	303	240	193	156	126	103	83	67	54	43	33	24																								

UNIFORMLY DISTRIBUTED SUPERIMPOSED LOAD IN LBS. PER SQ. FT.

(Includes the live load plus dead load that is in addition to the weight of the grouted slabs in place.)

FOR LOADS & SPANS NOT SHOWN CONTACT MID-STATES CONCRETE INDUSTRIES at 1-800-236-1072



HOLLOWCORE - $f'_c = 5000$ psi, $W_t = 57$ psf
GROUT - $f'_c = 5000$ psi

- 1- Dead Load, 57 psf grouted weight of structural unit.
- 2- Tabulated loads are based on ACI318-02 where $M_u = 1.4 M_d + 1.7 M_L$ and with all loads superimposed on the structural section considered as live load.
- 3- Camber is a result of the design rather than a design requirement. Heavy superimposed loads & / or long spans may cause excessive camber. Contact Mid-States Concrete Industries for more specific camber information.
- 4- Loads to the left of the solid stepped line are governed by shear
- * 5- 6000 psi concrete when using 4-1/2s, 270K