

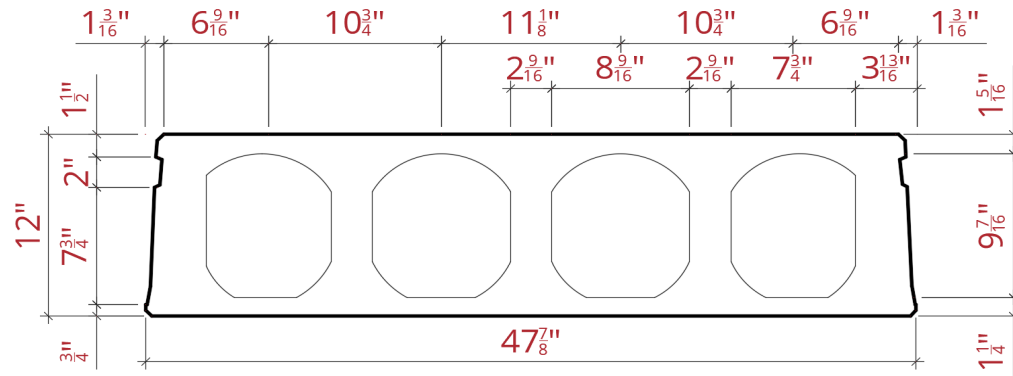


**MID-STATES**  
CONCRETE INDUSTRIES

500 South Park Avenue  
South Beloit, IL 61080  
800.236.1072  
msprecast.com

**12" X 48" HOLLOW CORE**

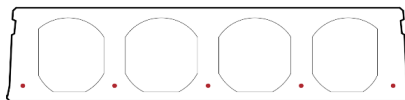
**CROSS SECTION**



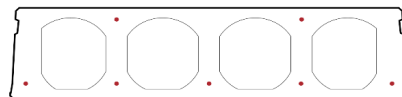
NOTES:

**STRAND CONFIGURATIONS**

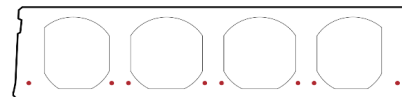
FOR INFORMATIONAL PURPOSES ONLY



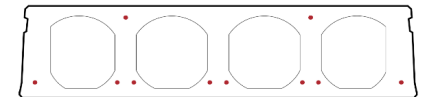
1.75-58



1.75-58TC26  
1.75-58TP26  
1.75-58TP28



1.75-88  
1.75-28+610



1.75-88TC26  
1.75-88TP26  
1.75-88TP28  
1.75-28+610TC26  
1.75-28+610TP26  
1.75-28+610TP28



1.75-28+910



1.75-28+910TC26  
1.75-28+910TP26  
1.75-28+910TP28



1.75-28+910TP38

