



MID-STATES
CONCRETE INDUSTRIES

500 South Park Avenue

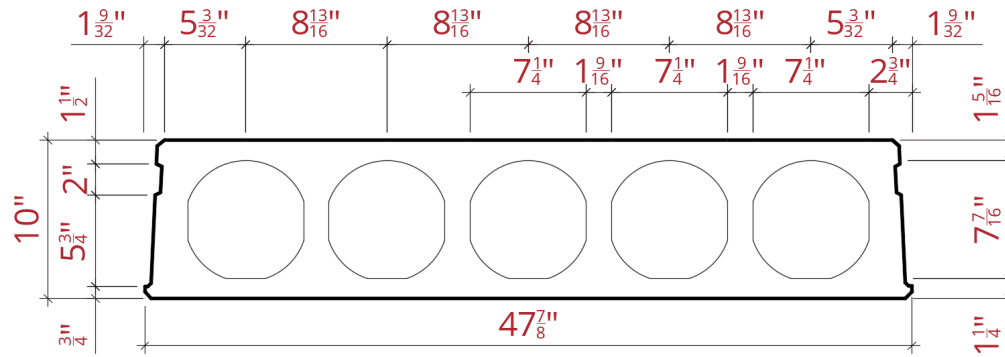
South Beloit, IL 61080

800.236.1072

msprecast.com

10" X 48" HOLLOW CORE

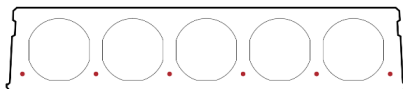
CROSS SECTION



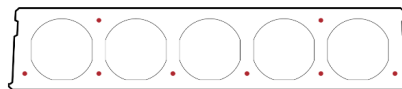
NOTES:

STRAND CONFIGURATIONS

FOR INFORMATIONAL PURPOSES ONLY



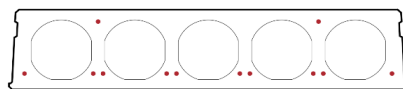
1.75-68
1.75-28+410



1.75-68TC26
1.75-68TP26
1.75-28+410TC26
1.75-28+410TP26
1.75-28+410TP28



1.75-108



1.75-108TC26
1.75-108TP26
1.75-108TP28



1.75-108TP48

